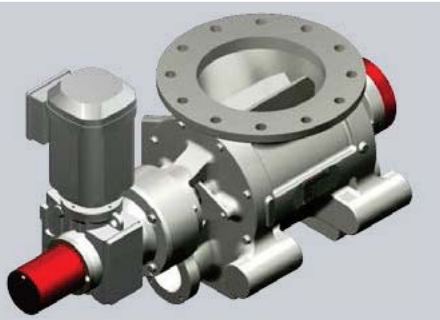
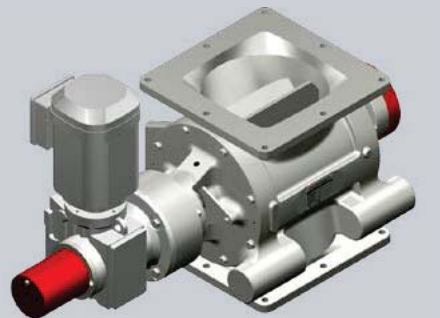


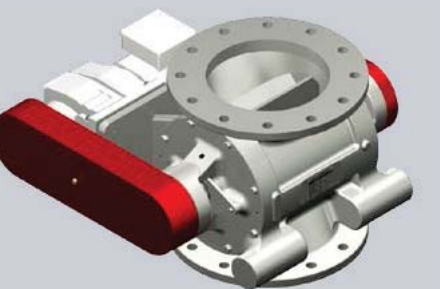
# HDM heavy duty modular rotary valves and BSM blowing seals



BSM Blowing seal with direct drive



HDM Rotary valve with direct drive



HDM Rotary valve with chain drive

Recently developed HDM Rotary and BSM Blowing seal valves have been designed using finite element analysis to make the housing even more robust. Where the valve feeds directly into a conveying line, the BSM range has been designed to optimise product conveying using computational fluid dynamics techniques. A new casting pouring method has been used to improve the external finish of the valves and standard, cleanable and fast clean versions use just one body configuration.

With frequent spares requests for valves over 30 years old, our rotary valves and blowing seals have already gained a superb reputation for reliable long service life.

## Typical applications

- Metering device, airlock, explosion containment, flame barrier and system isolation.
- Suitable for gravity, positive pressure and vacuum conveying systems.
- Powders, granules, pellets, grain, feed and chips.
- Can be adapted for virtually all types of product characteristics.

## Advantages:

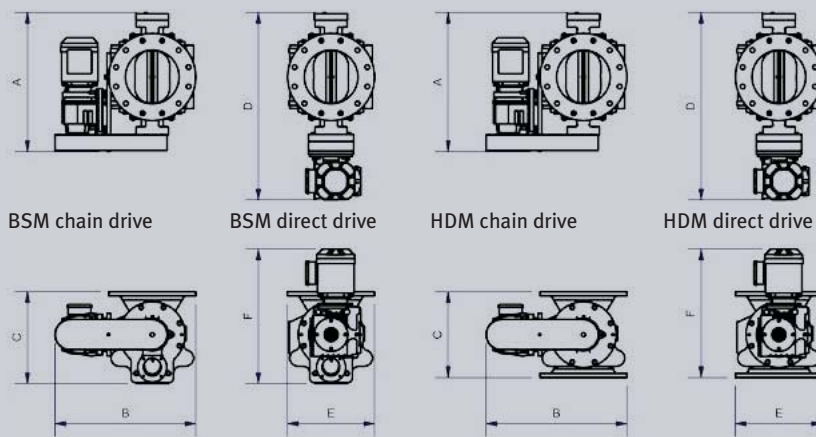
- Over 15,000 different configurations that can be adapted to suit virtually all applications.
- Bespoke versions and sizes.
- 18 Month warranty.
- Valve housings are individually pressure tested for 10 bar(g) explosion and flame containment requirements.
- Backed up by 90 years collective applications experience.

**Rota Val**

Keeping the World's Industries Solidly in Control

# Specifications

<b>Size</b>	• 150-400 mm
<b>Throughput</b>	• Up to 50 m <sup>3</sup> /hr
<b>Flanges</b>	• Round or square, special flange configurations available
<b>Construction</b>	• Cast iron, aluminium or stainless steel, special material grades available
<b>Drive</b>	• SEW chain or direct drive as standard
<b>Finishes</b>	• Polished, wear-resist hard chrome or tungsten carbide, non stick PTFE
<b>ATEX</b>	• Full range of dust and gas zones - 10 bar(g) fully autonomous versions



## Approx Dimensions

Valve	A	B	C	D	E	F
<b>BSM 150</b>	514	517	315	674	280	482
<b>BSM 200</b>	564	586	356	724	343	526
<b>BSM 250</b>	647	657	429	873	406	625
<b>BSM 300</b>	727	837	476	923	483	694
<b>BSM 350</b>	803	912	557	1044	534	760
<b>BSM 400</b>	853	944	616	1094	597	789

## Approx Dimensions

Valve	A	B	C	D	E	F
<b>HDM 150</b>	514	517	280	674	280	477
<b>HDM 200</b>	564	586	325	724	343	486
<b>HDM 250</b>	647	657	400	873	406	596
<b>HDM 300</b>	727	837	460	923	483	678
<b>HDM 350</b>	803	912	530	1024	534	733
<b>HDM 400</b>	853	944	590	1094	597	763

VALVE SIZE	150	200	250	300	350	400
<b>PIPE SIZE O/D</b>	63.5	76.2	88.9	101.6	127	152.4
<b>PIPE SIZE I/D</b>	57	69.7	82.4	95.1	120.5	145.9

VALVE SIZE	150	200	250	300	350	400
<b>CAPACITY m<sup>3</sup>/hr/rpm</b>	0.14	0.35	0.68	1.21	1.88	2.85

**Switzerland ...**  
Gericke AG  
T +41 44 871 36 36

**Great Britain ...**  
Gericke Ltd.  
T +44 16 13 44 11 40

**France ...**  
Gericke SAS  
T +33 1 39 98 29 29

**Brasil ...**  
Gericke Brasil Ltda.  
T +55 11 2598 2669

**China ...**  
Gericke  
(Shanghai) Pte Ltd.  
T +86 21 5382 0108

**Germany ...**  
Gericke GmbH  
T +49 77 31 929 0

**Great Britain ...**  
Rota Val Ltd.  
T +44 12 49 65 11 38

**Netherlands ...**  
Gericke B.V.  
T +31 33 25 42 100

**Singapore ...**  
Gericke Pte Ltd.  
T +65 64 52 81 33

**Indonesia ...**  
Gericke Indonesia  
(Rep. Office)  
T +62 21 2958 6753

**Rota Val**

Keeping the World's Industries Solidly in Control

sales@rotaval.co.uk

www.rotaval.co.uk